

Product-Information
SOGEVAC SV 40 B
Rotary Vane Vacuum Pump
SOGEVAC



**Product Range,
Features and Design**

Oil sealed rotary vane vacuum pumps are being used in all areas of vacuum engineering. They are equally suited for both industrial production and research applications. They may be used to generate a rough and medium vacuum or as backing pumps in pump combinations with Roots pumps or high vacuum pumps. By design, rotary vane pumps run quietly and do not produce much noise.

Application Examples

- Car industry
- Food industry
- Furnaces and plants
- Laser technology
- Medicinal technology
- Metallurgy
- Power engineering, long-distance energy
- Space simulation
- Vacuum coating

Product-Illustration

Product-Description

Product-Information

SOGEVAC SV 40 B

Rotary Vane Vacuum Pump

SOGEVAC

Advantages to the User

- Continuous Operation from atmospheric pressure to ultimate pressure
- High pumping speed also at low pressures
- Low noise level
- Low vibrations
- Integrated exhaust filter, up to 99.9% efficient
- No oil loss owing to the integrated oil return line
- Exhaust gas free of oil mists
- Efficient air cooling (standard)
- Water cooling (optional)
- Low space requirement, easy to install
- Rugged
- Maintenance-friendly
- Compact design
- For direct fitting to Roots pumps from SV 100 B or SV 100 up
- Optimum size-to-performance ratio
- High water vapor tolerance
- For use in various applications
- Wide range of accessories available for adaptation to differing problems

Compact Design

The pumps have been so designed that efficiency of the pumps will be high.

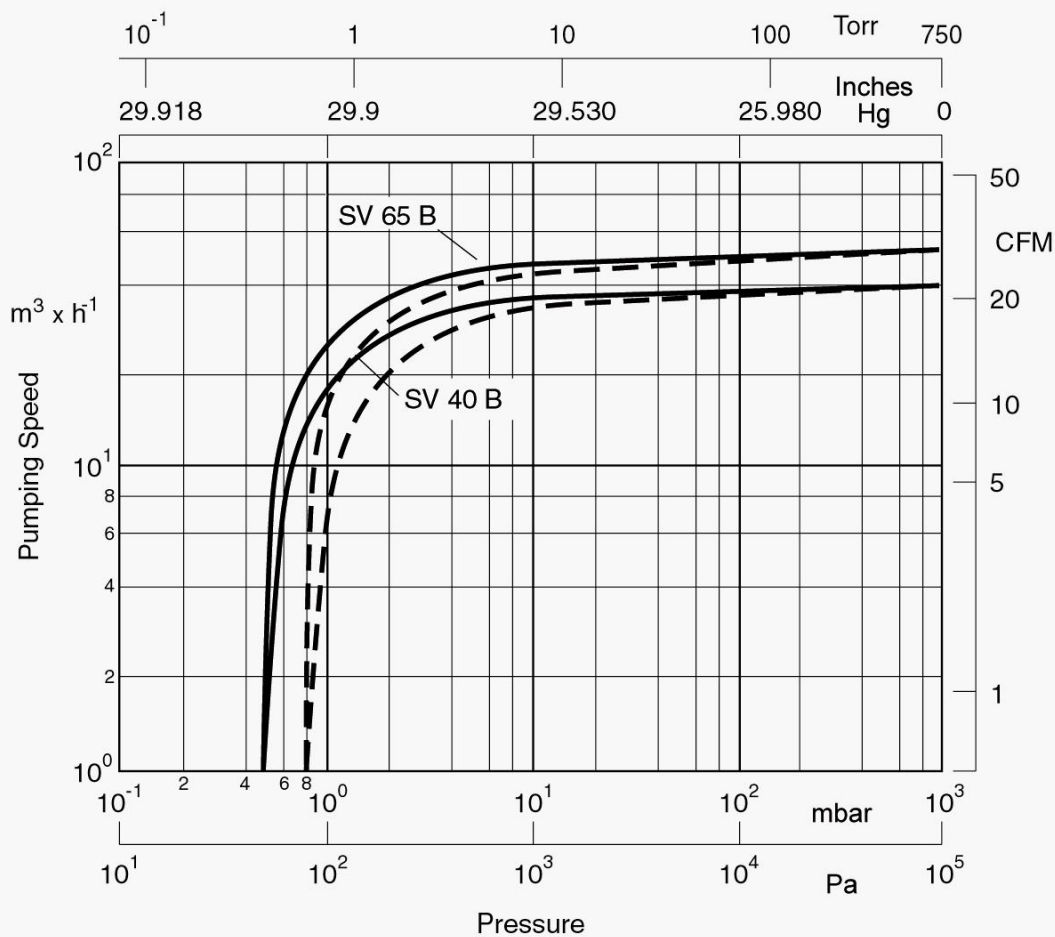
Supplied Equipment

All pumps are delivered with the required quantity of oil: SV 10 B to SV 65 B in a separate canister, whereas the SV 100 B and larger pumps already contain the oil and are thus ready for operation.

Product-Information
SOGEVAC SV 40 B
 Rotary Vane Vacuum Pump
 SOGEVAC

Illustrations

Pumping speed characteristics at 50 Hz

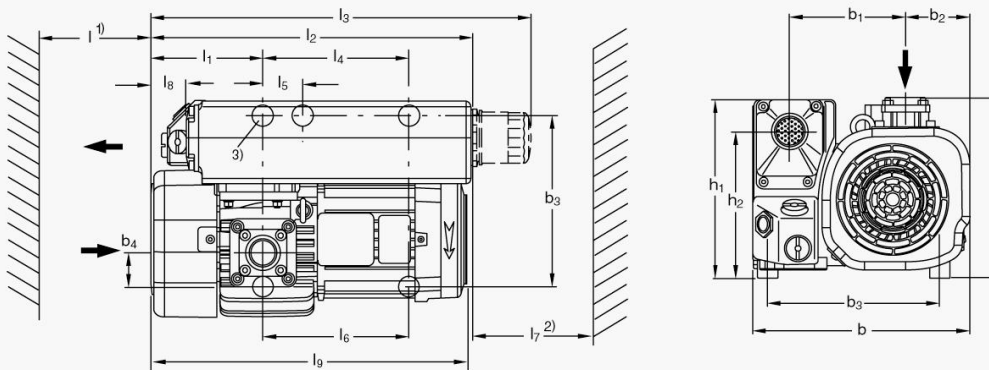


- without gas ballast
- - - with small gasballast

Product-Information
SOGEVAC SV 40 B
 Rotary Vane Vacuum Pump
 SOGEVAC

Illustrations

Dimensional drawing



- 1) Space for fitting the exhaust filter
- 2) Space for the motor's ventilation
- 3) Only SV 65 B

all dimensions in mm

Type		b	b ₁	b ₂	b ₃	b ₄	h	h ₁	h ₂
SV 40 B	mm	284	160	74	235	46	255	265	217
	in.	11.2	6.3	2.9	9.25	1.8	10.04	10.43	8.54

Type		l	l ₁	l ₂	l ₃	l ₄	l ₅	l ₆	l ₇	l ₈
SV 40 B	mm	350	143	425	510	–	40	1) ¹⁾	150	43
	in.	13.78	6.63	16.7	20.1	–	1.57	1) ¹⁾	5.91	1.69

1)	l ₆
Europe	220
	8.66
USA / JPN / TWN	226
	8.89